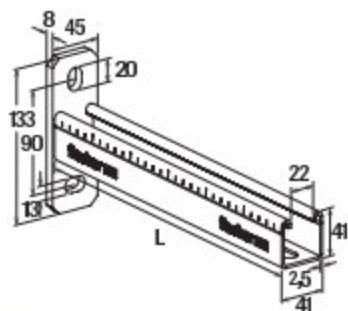
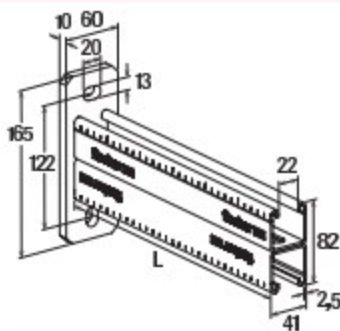


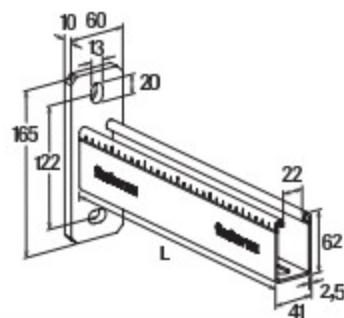
Technical data



FCA 41



FCA 41D



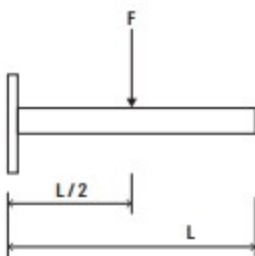
FCA 62

Item	Item No.	Fire test report	Profile	Length L [mm]	Sales unit [pcs]
FCA 41 - 300 hdg.	517411	X	41/2,5	300	1
FCA 41 - 450 hdg.	517412	X	41/2,5	450	1
FCA 41 - 600 hdg.	517413	X	41/2,5	600	1
FCA 41 - 750 hdg.	517414	X	41/2,5	750	1
FCA 62 - 1000 hdg.	538015	X	62/2,5	1000	1
FCA 41D - 750 hdg.	538016	—	41D/2,5	750	1
FCA 41D - 1000 hdg.	538017	—	41D/2,5	1000	1

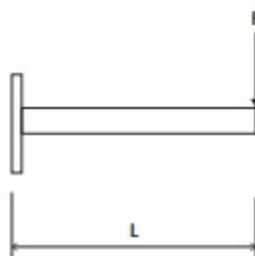
Loads

Item	Item No.	Max. recommended static load load case 1 F_{rec} [kN]	Max. recommended static load load case 2 F_{rec} [kN]	Max. recommended static load load case 3 F_{rec} [kN]
FCA 41 - 300 hdg.	517411	1.8	0.9	1.8
FCA 41 - 450 hdg.	517412	1.2	0.6	1.2
FCA 41 - 600 hdg.	517413	0.9	0.45	0.9
FCA 41 - 750 hdg.	517414	0.72	0.36	0.72
FCA 62 - 1000 hdg.	538015	1.25	0.62	1.25
FCA 41D - 750 hdg.	538016	2.5	1.25	2.5
FCA 41D - 1000 hdg.	538017	1.9	0.93	1.9

Load case 1



Load case 2



Load case 3

