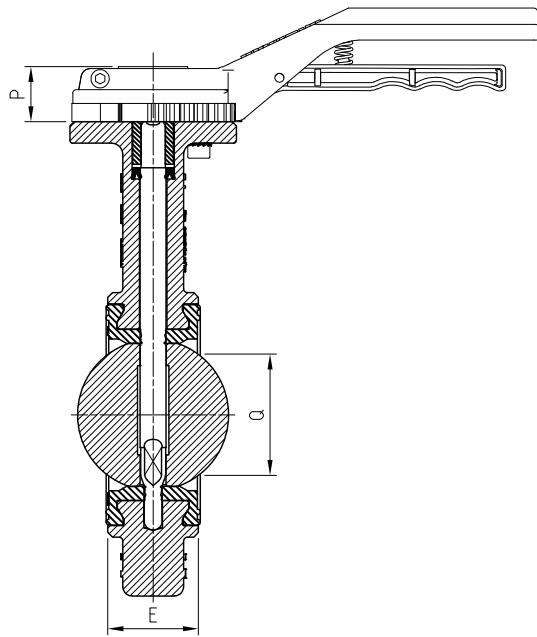
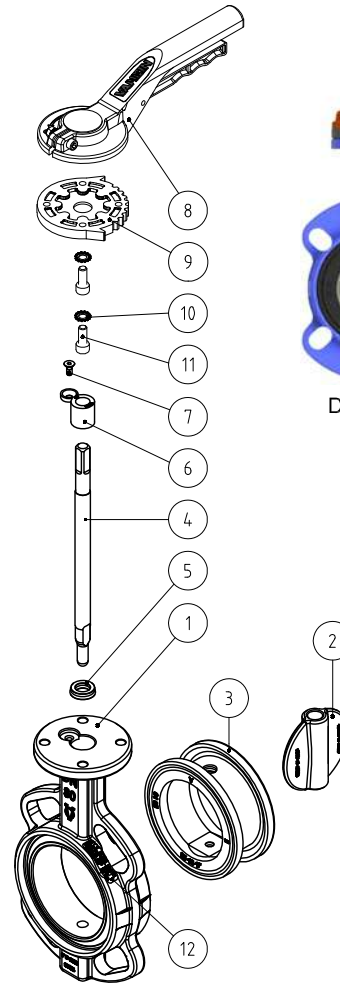
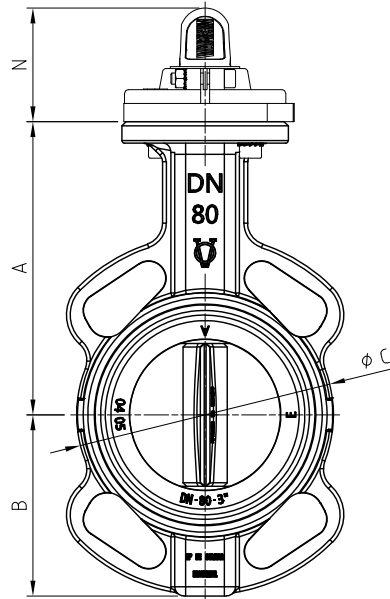


LEVER WITH 9 INTERMEDIATE POSITIONS AND LOCKING DEVICE

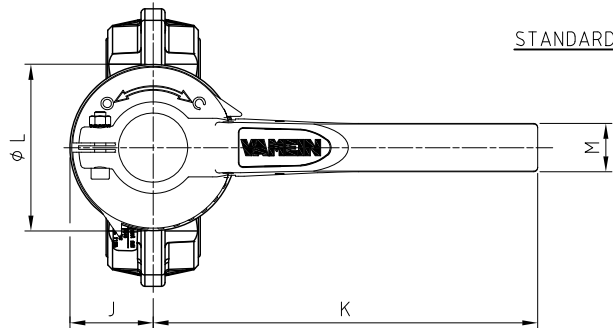


(ISO-5752/20)
(EN 558/20)



LOCKING DEVICE
(PADLOCK NOT INCLUDED)
USE PADLOCK
DIAMETER 4,8mm

VALVES DESIGNED TO SUIT EITHER
DIN PN-6/10/16, ASME B16.5 150 Lbs. 6 B.S. 10-D/E
(ANY OTHER STANDARD ON REQUEST)

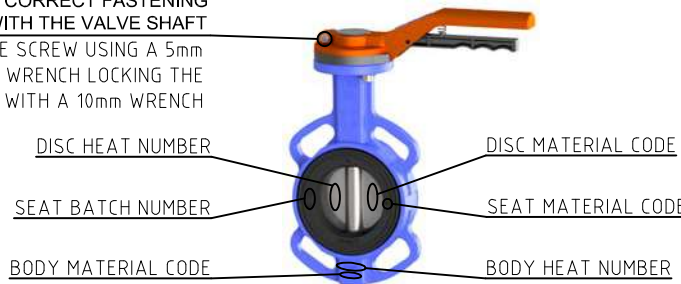


STANDARD FLANGES ASSEMBLY

MAX. PRESS.
16 BAR

INSTRUCTIONS FOR THE CORRECT FASTENING
OF THE LEVER WITH THE VALVE SHAFT

TIGHTEN THE SCREW USING A 5mm
ALLEN WRENCH LOCKING THE
HEXAGONAL NUT WITH A 10mm WRENCH



POS.	QTY.	DENOMINATION	MATERIAL
1	1	BODY	AS PER ORDER
2	1	DISC	AS PER ORDER
3	1	SEAT	AS PER ORDER
4	1	TORSION SHAFT	STAINLESS STEEL AISI 420
5	1	"CHEVRON" SHAFT SEAL	BUNA-N
6	1	RETENTION BUSHING	NYLON-6 NATURAL
7	1	BOLT (DIN - 7991)	STAINLESS STEEL A2
8	1	LEVER AND TRIGGER SET	ALUMINUM EPOXY PAINTED
9	1	NOTCH PLATE	ALUMINUM EPOXY PAINTED
10	2	WASHER (DIN - 6798/A)	STAINLESS STEEL A2
11	2	BOLT (DIN - 912)	STAINLESS STEEL A2
12	1	LABEL WITH FEATURES	PVC

NOMINAL DIAMETER	VALVE GENERAL DIMENSIONS	ACTUATOR GENERAL DIMENSIONS					WEIGHT (Kg)	"Q"					
		A	B	Ø C	E	J			K	Ø L	M	N	P
50	2"	140	83	102	43	45	210	90	26	62	30	3,7	31
65	2 1/2"	152	93	122	46	45	210	90	26	62	30	4,4	51
80	3"	159	98	139	46	45	210	90	26	62	30	4,7	70
100	4"	178	111	159	52	45	210	90	26	62	30	6,1	90

<p>VAMEIN de España, S.A.</p>	SET: BUTTERFLY VALVE 100 SERIES DN 50 - 100 (2" - 4")						DESIGNED BY: U.S.G.		
	DENOMINATION: WAFFER TYPE						REF.: S.100-P/15		CHECKED BY: J.B.F.
	DRAWING NUMBER: W-015	REV.: 00	DATE: 17-02-21	SCALE: -	ACTUATOR: LEVER	WEIGHT (Lbs.): SEE TABLE	APPROVED BY: V.A.G.		
	Bench marks in mm VAMEIN DE ESPAÑA, SA. reserves the right to make changes without notice.								