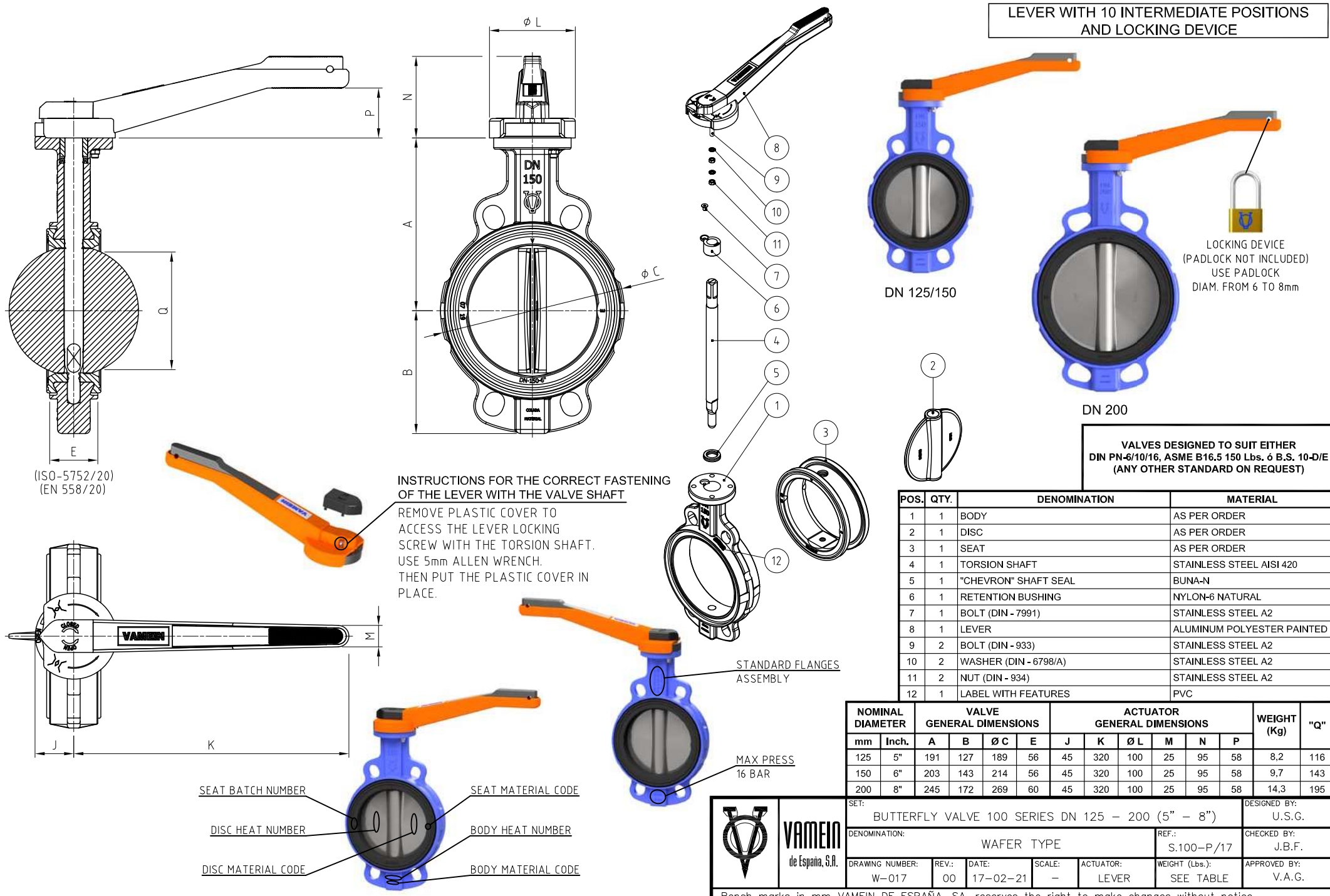


LEVER WITH 10 INTERMEDIATE POSITIONS AND LOCKING DEVICE



LOCKING DEVICE
(PADLOCK NOT INCLUDED)
USE PADLOCK
DIAM. FROM 6 TO 8mm

VALVES DESIGNED TO SUIT EITHER
DIN PN-6/10/16, ASME B16.5 150 Lbs. 6 B.S. 10-D/E
(ANY OTHER STANDARD ON REQUEST)

INSTRUCTIONS FOR THE CORRECT FASTENING OF THE LEVER WITH THE VALVE SHAFT
REMOVE PLASTIC COVER TO ACCESS THE LEVER LOCKING SCREW WITH THE TORSION SHAFT. USE 5mm ALLEN WRENCH. THEN PUT THE PLASTIC COVER IN PLACE.

POS.	QTY.	DENOMINATION	MATERIAL
1	1	BODY	AS PER ORDER
2	1	DISC	AS PER ORDER
3	1	SEAT	AS PER ORDER
4	1	TORSION SHAFT	STAINLESS STEEL AISI 420
5	1	"CHEVRON" SHAFT SEAL	BUNA-N
6	1	RETENTION BUSHING	NYLON-6 NATURAL
7	1	BOLT (DIN - 7991)	STAINLESS STEEL A2
8	1	LEVER	ALUMINUM POLYESTER PAINTED
9	2	BOLT (DIN - 933)	STAINLESS STEEL A2
10	2	WASHER (DIN - 6798/A)	STAINLESS STEEL A2
11	2	NUT (DIN - 934)	STAINLESS STEEL A2
12	1	LABEL WITH FEATURES	PVC

NOMINAL DIAMETER	VALVE GENERAL DIMENSIONS					ACTUATOR GENERAL DIMENSIONS					WEIGHT (Kg)	"Q"	
	mm	Inch.	A	B	Ø C	E	J	K	Ø L	M			N
125	5"	191	127	189	56	45	320	100	25	95	58	8,2	116
150	6"	203	143	214	56	45	320	100	25	95	58	9,7	143
200	8"	245	172	269	60	45	320	100	25	95	58	14,3	195

VAMEIN
de España, S.A.

SET: BUTTERFLY VALVE 100 SERIES DN 125 - 200 (5" - 8")						DESIGNED BY: U.S.G.	
DENOMINATION: WAFER TYPE						REF.: S.100-P/17	
DRAWING NUMBER: W-017		REV.: 00	DATE: 17-02-21	SCALE: -	ACTUATOR: LEVER	WEIGHT (Lbs.): SEE TABLE	APPROVED BY: V.A.G.