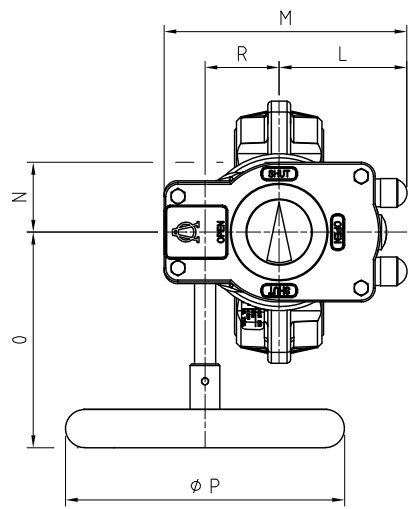


VALVES DESIGNED TO SUIT EITHER
DIN PN-6/10/16, ASME B16.5 150 LBS OR B.S. 10-D/E
(ANY OTHER STANDARD ON REQUEST).

POS.	QTY.	DENOMINATION	MATERIAL
1	1	BODY	AS PER ORDER
2	1	DISC	AS PER ORDER
3	1	SEAT	AS PER ORDER
4	1	TORSION SHAFT	STAINLESS STEEL AISI 420
5	1	"CHEVRON" SHAFT SEAL	BUNA-N
6	1	RETENTION BUSHING	NYLON-6 NATURAL
7	(*)	BOLT (DIN - 7991)	STAINLESS STEEL A2
8	1	LABEL WITH FEATURES	PVC
9	1	GEAR BOX	CAST IRON EPOXY PAINTED
10	4	BOLT (DIN - 912)	STAINLESS STEEL A2
11	4	WASHER (DIN - 6798/A)	STAINLESS STEEL A2

STANDARD FLANGES ASSEMBLY



MAX PRESS
16 BAR

- DISC MATERIAL CODE
- DISC HEAT NUMBER
- SEAT MATERIAL CODE
- SEAT BATCH NUMBER
- BODY MATERIAL CODE
- BODY HEAT NUMBER

NOMINAL DIAMETER	VALVE GENERAL DIMENSIONS					ACTUATOR GENERAL DIMENSIONS							TURNS AT 90°	WEIGHT (Kg)	"Q"	
	mm	Inch.	A	B	Ø C	E	J	K	L	M	N	O				Ø P
50	2"	140	83	102	43	27	29	69	135	40	124	160	43	10	5,8	31
65	2 1/2"	152	93	122	46	27	29	69	135	40	124	160	43	10	6,5	51
80	3"	159	98	139	46	27	29	69	135	40	124	160	43	10	6,8	70
100	4"	178	111	159	52	27	29	69	135	40	124	160	43	10	8,2	90
125	5"	191	127	189	56	27	29	69	135	40	124	160	43	10	9,9	116
150	6"	203	143	214	56	29	36	59	139	51	187	200	52	9,25	12,9	143
200	8"	245	172	269	60	29	36	59	139	51	187	200	52	9,25	17,5	195
250	10"	275	204	331	68	29	36	59	139	51	198	250	52	9,25	27,3	243
300	12"	315	242	380	78	29	36	59	139	51	198	250	52	9,25	36,2	293

<p>VAMEIN de España, S.A.</p>	SET: BUTTERFLY VALVE 100 SERIES DN 50 - 300 (2" - 12")						DESIGNED BY: J.J.G.		
	DENOMINATION: WAFER TYPE						REF.: S.100-RS/08		CHECKED BY: A.S.M.
	DRAWING NUMBER: W-008	REV.: 00	DATE: 17-11-15	SCALE: -	ACTUATOR: GEARBOX	WEIGHT (Lbs.): SEE TABLE	APPROVED BY: V.A.G.		
	Bench marks in mm VAMEIN DE ESPAÑA, SA. reserves the right to make changes without notice.								