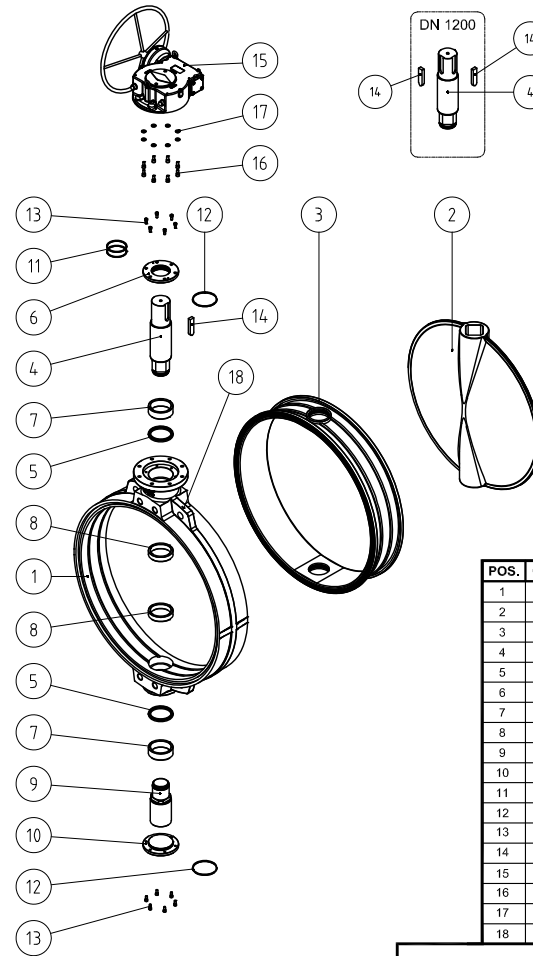
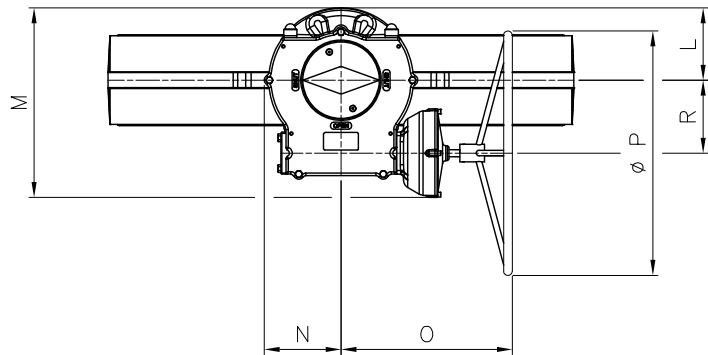
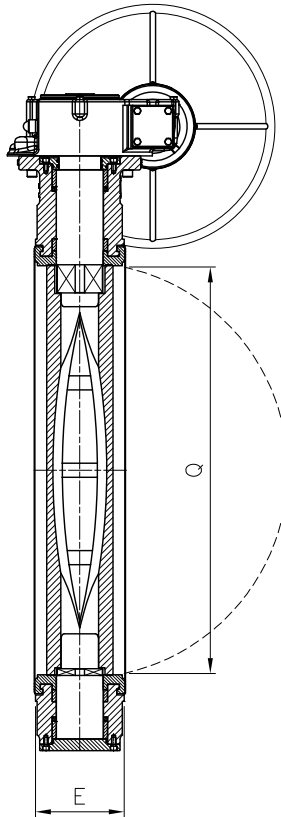
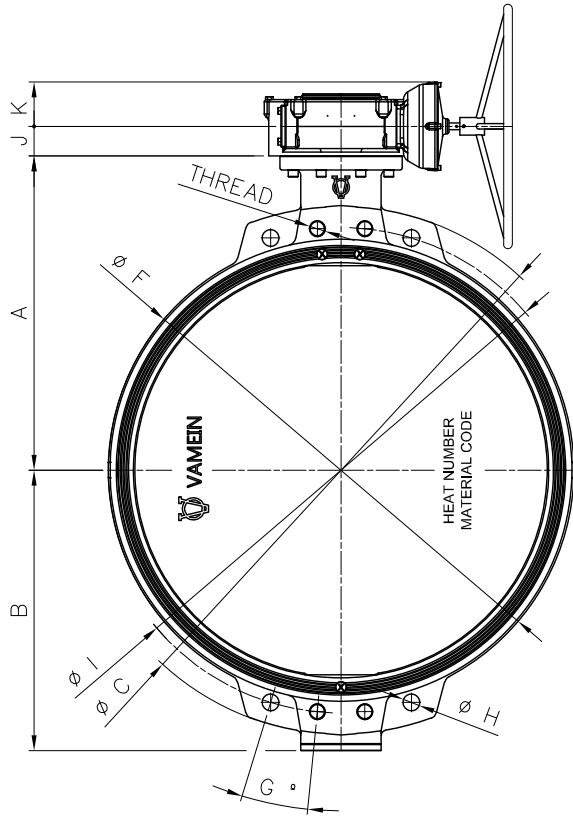


VALVES DN 650/750/800/900/1000
SEE DRAWING W-012



| POS. | QTY. | DENOMINATION | MATERIAL |
|------|------|-----------------------|--------------------------|
| 1 | 1 | BODY | AS PER ORDER |
| 2 | 1 | DISC | AS PER ORDER |
| 3 | 1 | SEAT | AS PER ORDER |
| 4 | 1 | UPPER SHAFT | STAINLESS STEEL AISI 420 |
| 5 | 2 | "CHEVRON" SHAFT SEAL | BUNA-N |
| 6 | 1 | UPPER COVER | STEEL |
| 7 | 2 | LARGE BUSHING | BRONZE |
| 8 | 2 | SMALL BUSHING | BRONZE |
| 9 | 1 | LOWER SHAFT | STAINLESS STEEL AISI 420 |
| 10 | 1 | LOWER COVER | STEEL |
| 11 | 2 | O-RING | BUNA-N |
| 12 | 2 | O-RING | BUNA-N |
| 13 | (*) | BOLT (DIN - 912) | STAINLESS STEEL A2 |
| 14 | (**) | KEY (DIN - 6885 AB) | STEEL |
| 15 | 1 | GEARBOX | CAST IRON EPOXY PAINTED |
| 16 | 8 | BOLT (DIN - 912) | STAINLESS STEEL A2 |
| 17 | 8 | WASHER (DIN - 6798/A) | STAINLESS STEEL A2 |
| 18 | 1 | LABEL WITH FEATURES | PVC |

| NOMINAL DIAMETER | DRILLING STANDARDS | | | | | | | | | | | | | | |
|------------------|--------------------|----------|-------------------------------|----------|------------------|----------|--------|----------|--|------------------|--------|------------------|-------|------|--------|
| | EN 1092-1&2 PN10 | | | | EN 1092-1&2 PN16 | | | | 24" - ASME B 16.5 150 Lbs. ≥ 26" - ASME B16.47 150 Lbs. SERIES A | | | | | | |
| | mm | Inch. | THREAD | G° | Ø H | Ø I | THREAD | G° | Ø H | Ø I | THREAD | G° | Ø H | Ø I | |
| 600 | 24" | M27 x 45 | 18 | 30 | 725 | M33 x 45 | 18 | 36 | 770 | 1 1/4" UN 8 x 45 | 18 | 35 | 749,3 | | |
| 700 | 28" | M27 x 45 | 15 | 30 | 840 | M33 x 45 | 15 | 36 | 840 | 1 1/4" UN 8 x 35 | 12,86 | 35 | 863,6 | | |
| 600/700 | 8 | 1200 | 48" | M36 x 55 | 11,25 | 39 | 1380 | M45 x 55 | 11,25 | 48 | 1390 | 1 1/2" UN 8 x 40 | 8,18 | 41,2 | 1422,4 |
| 1200 | 12 | 2 | ANY OTHER STANDARD ON REQUEST | | | | | | | | | | | | |

| NOMINAL DIAMETER | VALVE GENERAL DIMENSIONS | | | | | | | | | | | ACTUATOR GENERAL DIMENSIONS | | | | | TURNS AT 90° | WEIGHT (Kg) | "Q" |
|------------------|--------------------------|-------|-----|------|-----|------|-----|-----|-----|-----|-----|-----------------------------|-----|-----|-----|------|--------------|-------------|-----|
| | mm | Inch. | A | B | Ø C | E | Ø F | J | K | L | M | N | O | Ø P | R | | | | |
| 600 | 24" | 532 | 470 | 840 | 154 | 692 | 55 | 69 | 143 | 335 | 143 | 417 | 500 | 130 | 54 | 274 | 568 | | |
| 700 | 28" | 573 | 506 | 927 | 165 | 792 | 55 | 69 | 143 | 335 | 143 | 417 | 500 | 130 | 54 | 303 | 669 | | |
| 1200 | 48" | 900 | 803 | 1511 | 254 | 1334 | 95 | 127 | 208 | 544 | 220 | 491 | 700 | 209 | 182 | 1082 | 1166 | | |

| | | | | | | | | | | |
|--|--|----------|----------------|----------|-------------------|--------------------------|----------------------|--|--------------------|--|
| <p>VAMEIN de España, S.A.</p> | SET: BUTTERFLY VALVE 100 SERIES DN 600/700/1200 (24"/28"/48") | | | | | | DESIGNED BY: J.J.G. | | | |
| | DENOMINATION: WAFER TYPE | | | | | | REF.: S.100-E/02 S20 | | CHECKED BY: A.S.M. | |
| | DRAWING NUMBER: W-011 | REV.: 00 | DATE: 17-11-15 | SCALE: - | ACTUATOR: GEARBOX | WEIGHT (Lbs.): SEE TABLE | APPROVED BY: V.A.G. | | | |
| | Bench marks in mm VAMEIN DE ESPAÑA, SA. reserves the right to make changes without notice. | | | | | | | | | |